
USBula – Serial to USB-Flash-Drive Bridge Firmware

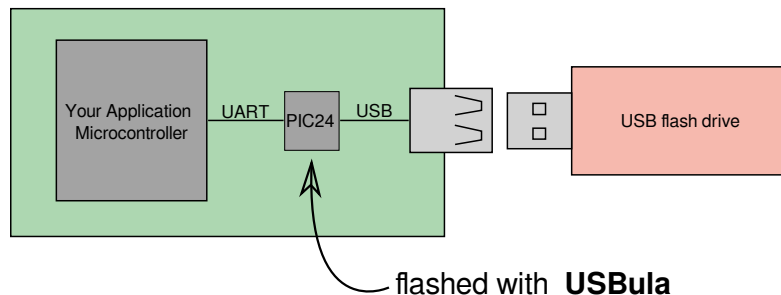
User Manual

USBula is a ready-to-use firmware for accessing USB flash drives from your application over a simple serial protocol. It runs on a Microchip PIC24FJ64GB002 microcontroller available in four different packages (SMD and THT). For commercial applications, there is a one-time license fee model, which limits the production costs to the actual part costs. The PIC24FJ64GB002 is available from many distributors, some with the option for pre-programming the controllers.

Features

- Connects USB memory stick to your application without USB programming
- Ready to flash binary files (HEX format, supported by most programmers)
- Runs on well available PIC24 microcontroller (on stock part from many distributors)
- Free version for evaluation and personal use
- Source code available (via license option) – modify it for your needs
- +5V tolerant serial interface with simple protocol for file access
- FAT16/FAT32 is supported. 8+3 character filenames are used.

Typical Application



Examples: Data logging, load/store configurations, firmware updates

Code example

```
Serial.print("U\n"); // sync (baudrate detection)
while (Serial.read() != '\n'); // consume response
Serial.print("O1A:test.txt\n"); // open file (id 1, append mode)
while (Serial.read() != '\n'); // consume response
Serial.print("W10b\n"); // prepare write of 11 bytes
while (Serial.read() != '\n'); // consume response
Serial.print("Hello World"); // write data to file
while (Serial.read() != '\n'); // consume response
Serial.print("C1\n"); // close file
while (Serial.read() != '\n'); // consume response
```

Table of Contents

1 Integration Guide.....	3
1.1 Hardware.....	3
1.1.1 Chip packages.....	3
1.1.2 Pinout Description.....	3
1.1.3 Schematics example.....	4
1.1.4 Supply voltages: +3.3V and +5V.....	5
1.2 Load USBula HEX-File.....	5
1.2.1 PicKit3 and MPLAB IPE.....	5
1.2.2 Order pre-programmed chips.....	6
2 Serial interface.....	6
2.1 Interface mode selection.....	7
2.2 UART communication.....	7
2.3 Communication protocol.....	7
2.4 Command description.....	8
2.4.1 „V“ – Get Version String.....	8
2.4.2 „O“ – Open file.....	8
2.4.3 „C“ – Close file.....	8
2.4.4 „R“ – Read.....	8
2.4.5 „W“ – Write.....	9
2.4.6 „U“ – Synchronize/Alive.....	9
2.4.7 „I“ – Get file information.....	9
2.4.8 „D“ – Change current directory.....	10
2.5 Response codes.....	10
2.6 Example.....	11
3 Licensing.....	12
3.1 License options and pricing.....	12
3.2 License terms.....	12

1 Integration Guide

This section describes how to integrate USBula into a customer application design.

1.1 Hardware

USBula runs on a Microchip PIC24FJ64GB002 microcontroller. The following guide is intended to help the developer integrating this controller into the customers application. This information is only a proposal without any guarantee on correctness. Please consult the PIC24FJ64GB002 family datasheet for obligatory details. This datasheet also includes „Guidelines for getting started with 16-bit microcontrollers“ (Section 2.0) with useful information about required external components.

PIC24FJ64GB002 product page with link to the datasheet.

<http://www.microchip.com/wwwproducts/Devices.aspx?product=PIC24FJ64GB002>

1.1.1 Chip packages

The PIC24FJ64GB002 is available in different chip packages. The package which fits to the rest of the customers design can be used.

28-lead QFN

28-lead SOIC (0.3“)

28-lead SPDIP

28-lead SSOP

These are the part numbers of the available package types.

Package Type	Shipped in Tubes	Shipped as Tape/Reel
QFN	PIC24FJ64GB002-I/ML	PIC24FJ64GB002T-I/ML
SOIC (200 mil)	PIC24FJ64GB002-I/SO	PIC24FJ64GB002T-I/SO
SPDIP	PIC24FJ64GB002-I/SP	
SSOP	PIC24FJ64GB002-I/SS	PIC24FJ64GB002T-I/SS

1.1.2 Pinout Description

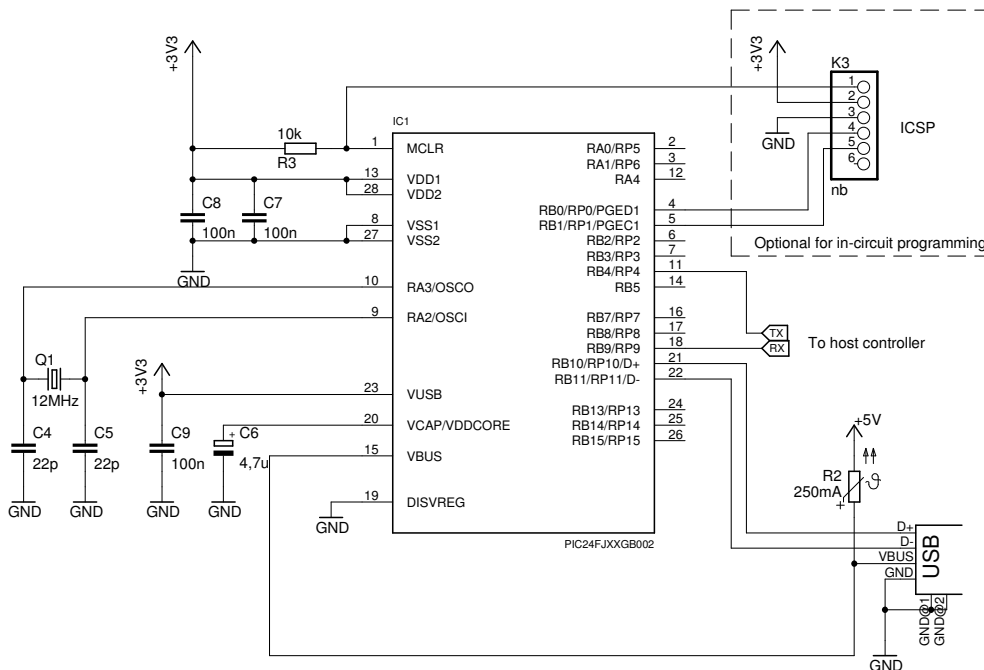
The following table lists the pins which are used by USBula. It describes which function is mapped to pin numbers of available package types.

SOIC SPDIP SSOP	QFN	Function	Description
13, 28	10, 25	VDD	+3V3 Power supply
20	17	VCAP	Voltage regulator output. Connect capacitor to this pin
23	20	VUSB	USB voltage: +3V3

15	12	VBUS		USB voltage: +5V
8, 27	5, 24	VSS		Ground supply
19	16	DISVREG		Disable voltage regulator. Connect to GND.
9	6	OSCI		Oscillator: 12 MHz crystal.
10	7	OSCO		
1	26	MCLR		Reset input
4	1	PGED1		Programming data (optional for in-circuit programming)
5	2	PGEC1		Programming clock (optional for in-circuit programming)
18	15	RP9	RX	UART receive signal
11	8	RP4	TX	UART transmit signal
2	27	RA0	MODE0	Internally pulled up to VDD. See section „Mode-Selection“. For UART-Mode: leave pins open, not connected.
3	28	RA1	MODE1	
12	9	RA4	MODE2	
24	21	RB13	CFG0	Internally pulled up to VDD. See section „UART configuration“. For Autobaud: leave pins open, not connected.
25	22	RB14	CFG1	
26	23	RB15	CFG2	

1.1.3 Schematics example

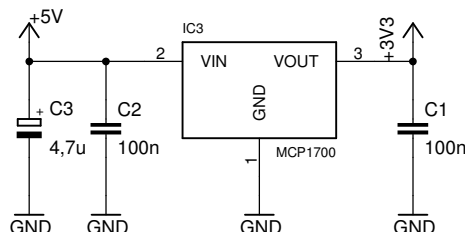
The PIC24 needs only a few external components to act as bridge between a simple serial interface and USB. This diagram shows a minimalistic circuit, running in UART mode with auto-baud detection. Pin numbers for SOIC, SPDIP, SSOP packages are shown.



1.1.4 Supply voltages: +3.3V and +5V

The USB part needs +5V. Current on the +5V line depends on the used USB flash drive (~100 mA). The maximum current should be limited (e.g. with a PTC fuse) to protect the circuit against short-circuits on the USB connector.

The microcontroller must be supplied with +3.3V (needs ~25 mA). If the target design doesn't provide this voltage yet, a voltage regulator can be used. There are out many voltage regulators for this purpose, e.g. the MCP1700 with maximum output current of 250 mA.



1.2 Load USBula HEX-File

The USBula firmware is provided in a compiled, ready-to-use binary HEX format. This format is very common for flashing software into microcontrollers. It is supported by most programmers and can be handled by most electronic manufacturing services.

1.2.1 PicKit3 and MPLAB IPE

A cost effective solution is a Microchip PicKit3 debugger/programmer (Part Number: PG164130) in combination with the free tool MPLAB IPE.

PicKit3 is a in-circuit debugger/programmer with a 2,54mm 6-pin connector. The interface is called ICSP. An 6-pole pin-header can be placed on the target circuit, so the programmer can be plugged directly on it. These connections are required for programming:

PicKit3 Header		PIC24FJ pins		
		SOIC, SPDIP, SSOP	QFN	Function
1	VPP/MCLR	1	26	VPP/MCLR
2	VDD	+3V3		
3	VSS	GND		
4	PGD	4	1	PGED1
5	PGC	5	2	PGEC1
6	LVP	Do not connect		

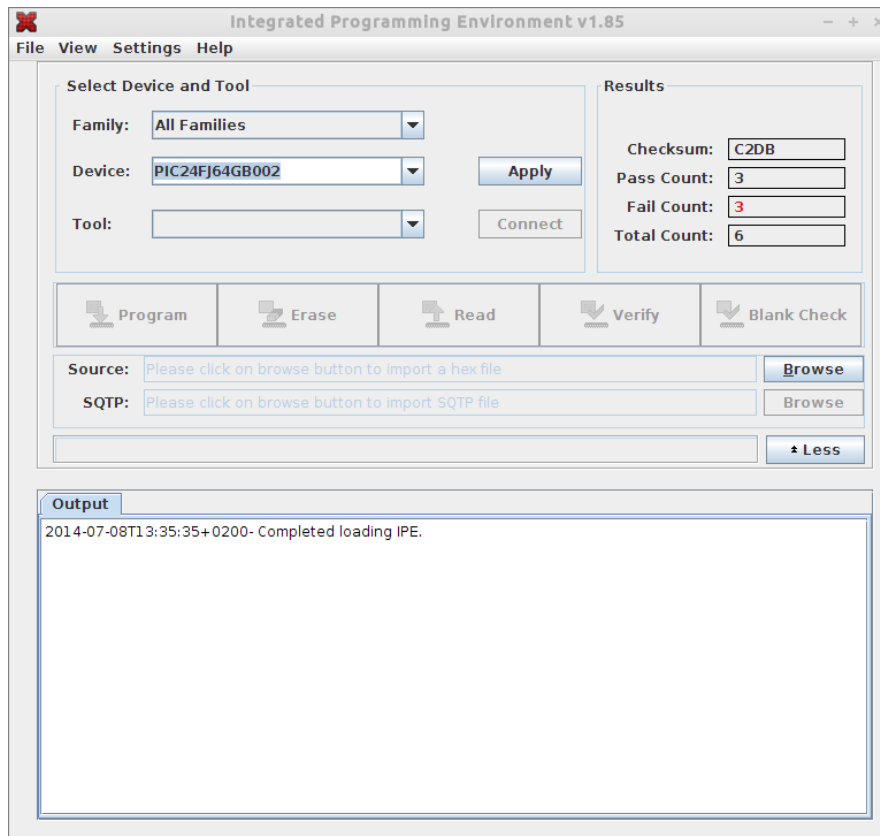
Further details are described in the „Flash Programming Specification“ downloadable from the PIC24FJ64GB002 product page:

<http://www.microchip.com/wwwproducts/Devices.aspx?product=PIC24FJ64GB002>

MPLAB IPE is bundled with the MPLAB X IDE, which can be downloaded for free:

<http://www.microchip.com/pagehandler/en-us/family/mplabx/>

The IPE tool is automatically installed with the MPLAB IDE. It is available for Windows, Linux and MacOS X.



Steps for programming with IPE tool:

1. Select Device „PIC24FJ64GB002“
2. Connect PicKit3, select it as „Tool“
3. Open USBula-HEX-file as „Source: ... Browse“
4. Conenct Target with PicKit3
5. Press button „Program“

1.2.2 Order pre-programmed chips

The method described in the last section is applicable for prototypes and small production lots. For mass production, it can be more economically to use a programming service which ships the microcontroller already flashed packed in tubes or tape/reels. A few distributors provide such a service, even Microchip via microchipDIRECT:

<http://www.microchipdirect.com/programming/>

However it is recommended to integrate the ICSP connector pads to the application circuit for prototyping and debugging.

2 Serial interface

The host system communicates over the serial interface with USBula. This section describes how to

configure the interface and the serial protocol for accessing files on the USB flash drive.

2.1 Interface mode selection

The communication mode must be selected via the MODE0..2 pins. The inputs are pulled internally to VDD. So the pins must left open, if high levels are expected.

MODE2	MODE1	MODE0	Mode
Open	Open	Open	UART-Mode
<i>All other options</i>			Reserved for future use

Currently, only the UART mode is supported by USBula.

2.2 UART communication

The UART is set up with these parameters:
8 data bits, no parity, 1 stop bit

Rx/Tx are used for communication with the host. There are no hardware handshake signals. Wiring with the host system:

Host UART-Tx → USBula UART-Rx
USBula UART-Tx → Host UART-Rx

The baudrate can be selected with pins CFG0..2. The inputs are pulled internally to VDD. If high levels are expected, the pins must be left open. If auto-baudrate is selected, the baudrate is determined automatically while sending the first command after reset. This first command must be the sync-command ('U').

CFG2	CFG1	CFG0	Baudrate (Baud)
GND	GND	GND	1200
GND	GND	Open	2400
GND	Open	GND	9600
GND	Open	Open	19200
Open	GND	GND	38400
Open	GND	Open	57600
Open	Open	GND	115200
Open	Open	Open	Auto-Baudrate

2.3 Communication protocol

The USBula acts as a slave device and sends only data in response to a request from the host. The protocol is half duplex: After transmitting a request, the host must wait for the response.

The commands are transmitted as ASCII sequences. Payload data (for read/write file) can also be binary and do not have to be in ASCII format.

Every command ends with a line break character. USBula sends LF ("\n"). When receiving it also interprets the CR ("\r") as end of line. The maximum line length including command and parameter characters is 128 bytes. The payload data for read and write command is limited to 100 bytes.

All numeric values are transmitted in hexadecimal as ASCII sequence. Example:

decimal: 158 → hexadecimal: 9E

Simultaneously two files can be opened (maximum files opened: 2). To specify which file is currently addressed, an identifier (called file-handler) is used.

2.4 Command description

This section describes the available serial commands. Characters sent from Host to USBula are printed in red. The opposite direction is marked with green. Line feeds are represented by „↵“.

2.4.1 „V“ – Get Version String

Get USBula firmware version string.

Syntax	Parameters	Example
V↵ vX.X.X↵	x.x.x = Version string	V↵ v1.1.0↵

2.4.2 „O“ – Open file

Open file with given name. The given file-handler is used to access this file with following commands.

Syntax	Parameters	Example
O f m : filename↵ >00↵	f: file handler m: Mode (r = read only, w = write, a = append) filename: 8+3 character name with prefixed path	Open file (handler 1) „test.txt“: O1w:test.txt↵ >00↵

2.4.3 „C“ – Close file

Close file with given file handler. Pending data (buffered in RAM) are flushed to the USB memory stick.

Syntax	Parameters	Example
C f↵ >00↵	f: file handler	Close file (handler 1): C1↵ >00↵

2.4.4 „R“ – Read

Read from given file handler the given count of bytes. If the end of file is reached, the remaining bytes are sent as „filler“.

Syntax	Parameters	Example
<pre>Rfssyy↵ >00↵ ss bytes, read from file. If end of file reached, bytes are filled with filler #rr↵</pre>	<p>f: file handler ss: bytes to read yy: filler rr: count of read bytes (max 100)</p>	<p>Read 5 bytes from file (handler 1, filler: 0xFF): R105FF↵ >00↵ Hello #05↵</p>

2.4.5 „W“ – Write

Write to given file handler.

Syntax	Parameters	Example
<pre>Wfss↵ >00↵ ss bytes, write to file #ww↵</pre>	<p>f: file handler ss: bytes to read ww: count of bytes written (max 100)</p>	<p>Write „Hello world!“ (=12 chars) to file (handler 1): W10C↵ >00↵ Hello world! #0C↵</p>

2.4.6 „U“ – Synchronize/Alive

This command is used to synchronize USBula to the used baudrate if configured in auto-baudrate mode. The command must be sent first, before other commands. If USBula doesn't respond, the command must be sent again after timeout. If a fixed baudrate is selected via the CFG0..2 pins, this is not necessary. The „U“ command can also be used to check if USBula is alive (like ping/pong).

Syntax	Parameters	Example
<pre>U↵ >00↵</pre>		<pre>U↵ >00↵</pre>

2.4.7 „I“ – Get file information

Get information for given filename or filepattern.

Syntax	Parameters	Example
<pre>I:filename↵ tttttttt ssssssss aa Filename↵</pre>	<p>filename: 8+3 character name. Patterns with ‚*‘ and ‚?‘ are allowed. t: timestamp s: file size a: attribute</p>	<pre>I:*.TXT↵ 4A75316C 0000000A 20 TEST.TXT↵</pre>

If there are multiple results (i.e. search with filepattern including ‚*‘ or ‚?‘), the file information can be iterated using the command without parameters. If there is no further file in result list, the firmware responds with „No such file“ (= 09) error code.

Syntax	Parameters	Example
<pre>I↵ tttttttt ssssssss aa Filename↵</pre>	<pre>t: timestamp s: file size a: attribute</pre>	<pre>I : * .TXT↵ 4A75316C 0000000A 20 TEST.TXT↵ I↵ 4A7536A2 0000003F 20 ABC.TXT↵ I↵ >09↵</pre>

Following values are responded for file attribute:

Attribute (hex)	Description
01	Read only
02	Hidden
04	System
08	Volume
10	Directory
20	Archive

2.4.8 „D“ – Change current directory

Change to given directory.

Syntax	Parameters	Example
<pre>D:dirname↵ >00↵</pre>	<pre>dirname: directory name</pre>	<pre>D:TEST↵ >00↵</pre>

2.5 Response codes

USBula answers to commands with a response code which indicates possible errors.

Code	Description
>00	Successful. Everything okay!
>01	Unknown command
>02	Syntax error
>03	Invalid file handler
>04	Error while opening file
>05	File not open

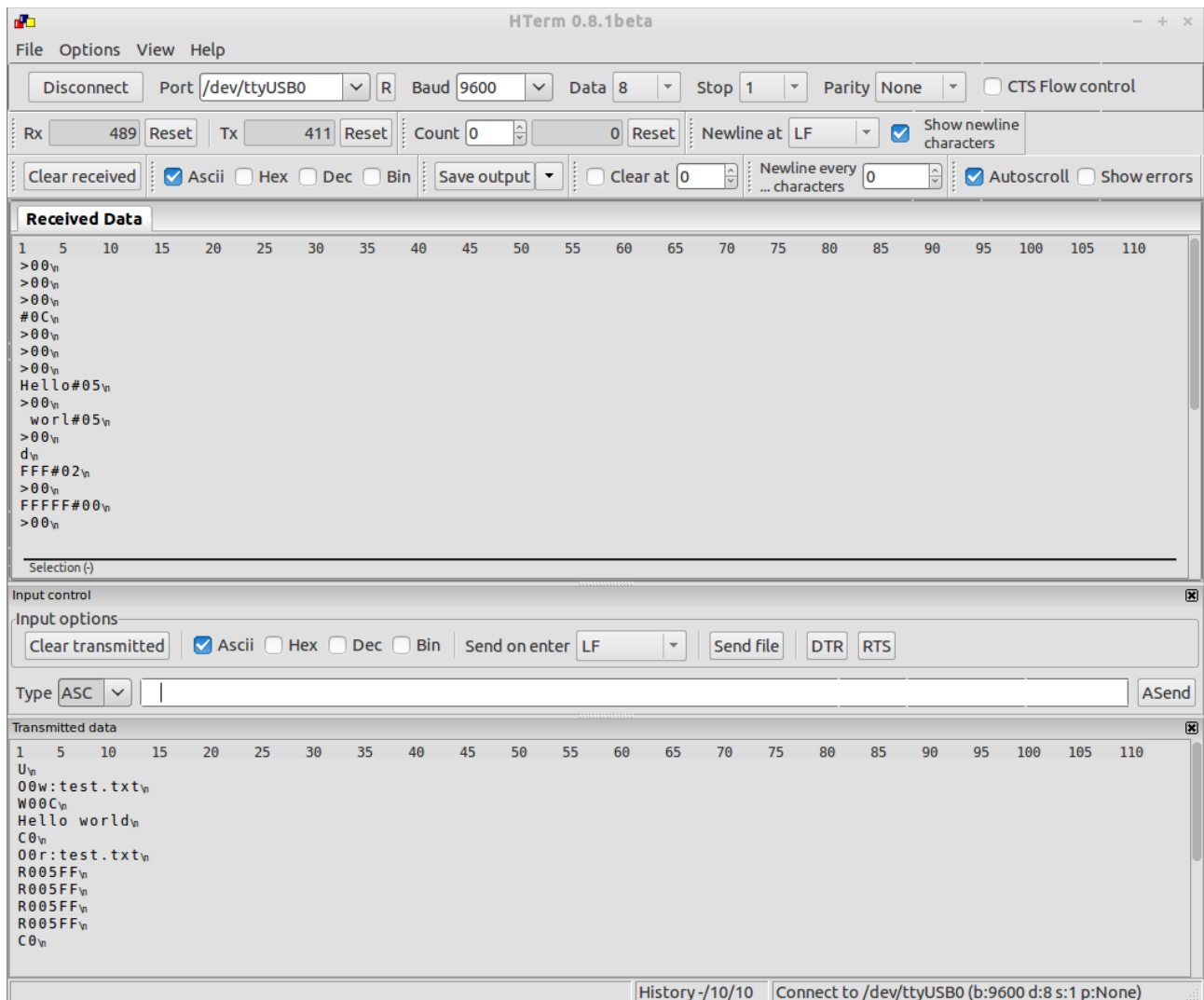
>06	Error while reading file
>07	Invalid size parameter
>08	No USB drive attached
>09	No such file

2.6 Example

The following screenshot shows an example communication. USBula is connected with a USB-to-serial interface to a PC running „HTerm“, a terminal program:

<http://www.der-hammer.info/terminal/>

The commands are just typed into the input field and sent out with enter („Send on enter LF“). The response is shown in the „Received Data“ window.



3 Licensing

USBula is free for evaluation and personal use. For commercial purpose a license must be acquired. Please contact license@usbula.com.

3.1 License options and pricing

There are four different license options which depends on the purpose of use and if source code is required.

License	Price (excl. VAT)	Units	Source code	Purpose
USBula FREE	No charge	unlimited	Not included	Evaluation, personal use
USBula LE	€ 99	up to 250	Not included	Commercial
USBula LP	€ 199	unlimited	Not included	Commercial
USBula LPS	€ 399	unlimited	Included	Commercial

It is recommended to start with USBula FREE to evaluate its function and test it with the intended system components. USBula FREE has only one difference to the other license options: it automatically generates a file „usbula.txt“ with license information on every USB flash drive which is plugged in.

With USBula LPS you get the source codes (MPLAB X project) and an additional documentation which describes the firmware concept, the development environment and the steps to compile the firmware project.

License upgrades are not possible. Please order a new license if the granted number of units are not enough.

3.2 License terms

Software license agreement for USBula, the Serial to USB-Flash-Drive Bridge Firmware

General and Definitons

„USBula.com“ – Thomas Fischl, Schmidberg 3, 94130 Obernzell, Germany is willing to license the accompanying „Software“ USBula, the Serial to USB-Flash-Drive Bridge Firmware to you („Licensee“) only if you accept all the terms in this license agreement. If you do not agree to these terms, do not download, acquire or use the Software.

Software License Grant

USBula.com grants the Licensee a non-exclusive license to use the Software according to the terms and conditions defined below. With downloading or acquiring, the Licensee chooses one of the following options:

- USBula FREE: the Software is for evaluation purpose and personal use only. The use in commercial products is not allowed.
- USBula LE: the Software can be installed in up to 250 units of one specific product.
- USBula LP: the Software can be installed in unlimited units of one specific product.

- USBula LPS: the Software can be installed in unlimited units of one specific product. Additionally the source code of the Software is made available for the Licensee. The Licensee can modify and use the source codes for his needs.

USBula LE/LP/LPS can be used in any product where the Software does not represent the main function of the device (e.g. these license does not cover breakout boards or Serial-to-USB-Flash-Drive converters; in this case, please ask for a customized license). Mentioning that USBula is used in the product is not necessary.

The Software uses parts of Microchip Libraries for Applications. The Licensee accepts the terms of the underlying license agreement (www.microchip.com/mla_license). It mainly constricts the use to Microchip products, porting to other microcontrollers is not permitted.

Warranty Disclaimers

The Software and documentation is provided "as is" without warranty of any kind, either express or implied, including without limitation any implied warranties of condition, uninterrupted use, merchantability, fitness for a particular purpose, or non-infringement. In no event shall USBula.com be liable for any direct or indirect damages arising in any way out of the use of this Software.

Termination of License Agreement

This agreement terminates immediately upon violation of any of the terms of this license areement. In this case the Licensee will immediately stop using the Software.

Miscellaneous

The Licensee is not permitted to publish or distribute the Software (particularly the HEX and source files). It is not allowed to sub-license the Software to a third party. This agreement is governed by the laws of the Federal Republic of Germany. The place of jurisdiction shall be Passau (Germany). Should any of this license agreement be held to be invalid by any court of competent jurisdiction, that provision will be enforced to the maxium extend permissibile, and the remainder of the license agreement shall nonetheless remain in full force and effect.